

**NISBETS**  
**ESSENTIALS**

**Bain Marie**

Instruction manual



**Model:**  
**CH732-A**

## Safety Instructions

- Position on a flat, stable surface.
- A service agent/qualified technician should carry out installation and any repairs if required. Do not remove any components on this product.
- Consult Local and National Standards to comply with the following:
  - Health and Safety at Work Legislation
  - Fire Precautions
  - IEE Wiring Regulations
  - Building Regulations
- DO NOT immerse the appliance in water, or use jet/pressure washers to clean it.
- DO NOT touch hot surfaces with bare hands. Always use the handles/protective gloves.
- DO NOT overfill the appliance. Keep the water level below the 'MAX' level.
- DO NOT allow the water level to drop below the 'MIN' level during operation.
- DO NOT move the appliance when it contains hot liquid.
- DO NOT use the appliance for anything other than its intended use.
- Always switch off and disconnect the power supply to the appliance when not in use.
- Not suitable for outdoor use.
- Keep all packaging away from children. Dispose of the packaging in accordance to the regulations of local authorities.

- If the supply cord is damaged, it must be replaced by the manufacturer, its service agent or similarly qualified persons in order to avoid a danger or injury.
- This appliance can be used by children aged from 8 years and above and persons with reduced physical, sensory or mental capabilities or lack of experience and knowledge if they have been given supervision or instruction concerning use of the appliance in a safe way and understand the hazards involved.
- Children shall not play with the appliance.
- Cleaning and user maintenance shall not be made by children without supervision.
- Nisbets Essentials recommend that this appliance should be periodically tested (at least annually) by a Competent Person. Testing should include, but not be limited to: Visual Inspection, Polarity Test, Earth Continuity, Insulation Continuity and Functional Testing.

## Introduction

Please take a few moments to carefully read through this manual. Correct maintenance and operation of this machine will provide the best possible performance from your Nisbets Essentials product.

## Pack Contents

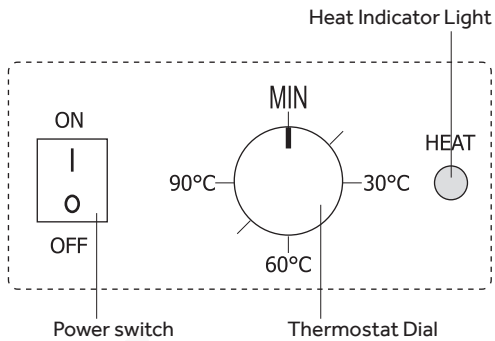
The following is included:

- Nisbets Essentials Bain Marie
- Instruction manual

Nisbets Essentials prides itself on quality and service, ensuring that at the time of unpacking the contents are supplied fully functional and free of damage.

Should you find any damage as a result of transit, please contact your Nisbets Essentials dealer immediately.

## Operation



1. Connect the appliance to the power supply.
2. Fill the tank with water to a level between the 'MIN' and 'MAX' marks on the inside of the tank.

**Note:** Nisbets Essentials recommend that fresh water should be used each time.

3. Switch the power switch to the On position [I].
4. Turn the thermostat to the desired temperature to heat-up the appliance. The heat indicator light will turn on.
5. Once the appliance has heated the water, the heat indicator light will turn Off.
6. Reduce the heat setting on the Thermostat to maintain temperature.



**WARNING:** Do not allow the water to drop below the 'MIN' level during operation. Otherwise, severe damage to the heating element could result.

## Maintaining Water Levels

It is important to regularly check the water level in the Bain Marie tank.

- Always keep the water level above the 'MIN' mark on the inside of the tank during operation.
- Damage to the heating element can occur if the tank boils dry and the element may have to be replaced. This is not covered by the Nisbets Essentials warranty.

## Emptying the Appliance



**Note:** Always switch the appliance off and allow the water to cool before emptying.

Use a suitable container to remove the water from the appliance.

## Thermal Cut-Out Reset

This appliance is fitted with a Thermal Cut-Out safety feature. Should the temperature exceed safe levels the appliance will automatically cut power.

The thermal Cut-out switch is located on the rear of the appliance. To reset the appliance after a sufficient cool-down period:

1. Unscrew the reset switch cover.
2. Press the small reset switch down until it clicks, using a blunt pointed instrument.
3. The appliance is now reset and can be used as normal.

## Cleaning, Care & Maintenance



**WARNING:** Always turn off and disconnect the appliance from the power supply before cleaning.

Always allow the appliance to cool before emptying or cleaning.

- Wipe down the exterior of the appliance with a damp cloth.
- Some cleaning agents may cause damage when used for a prolonged period on stainless steel. Use a suitable stainless steel cleaner. Daily cleaning is recommended.
- Wash all removable parts in warm, soapy water.
- Dry the exterior thoroughly.

### De-scaling

To maintain energy efficiency and prolong the life of the appliance, regular de-scaling is needed.

- Pour a solution of neutral cleaner and water into the appliance.
- Brush gently with a soft brush.
- Discard the solution and flush out thoroughly with clean water to remove any solution residue.
- Wipe dry the appliance, especially the bottom part of the water tank.



**Note:** Use a suitable cleaner and always follow the instructions on the cleaner container.

Nisbets Essentials recommend that this appliance is de-scaled every 3 months or more often in hard water areas.

**IMPORTANT:** Failure to de-scale or maintain will invalidate your guarantee.

## Troubleshooting

A qualified technician should carry out repairs if required.

Fault	Probable Cause	Solution
The unit is not working	The unit is not switched on	Check the unit is plugged in correctly and switched on
	Plug or lead is damaged	Replace plug or lead
	Mains power supply fault	Check mains power supply
	Thermal cut-out switch has activated	Reset Thermal cut-out switch (Page 4)
	Thermostat has not been set correctly	Set the thermostat to a higher temperature
	Heating element has failed	Replace heating element

## Technical Specifications

Note: Due to our continuing program of research and development, the specifications herein may be subject to change without notice.

Model	Voltage	Power	Current	Product Dimensions H x W x D mm	Weight
CH732-A	220-240V~ 50/60Hz	1100-1300W	5.2A	246 x 340 x 598	7.8kg

## Electrical Wiring

The plug is to be connected to a suitable mains socket.

This appliance is wired as follows:

- Live wire (coloured brown) to terminal marked L
- Neutral wire (coloured blue) to terminal marked N
- Earth wire (coloured green/yellow) to terminal marked E

This appliance must be earthed.



If in doubt consult a qualified electrician.

Electrical isolation points must be kept clear of any obstructions. In the event of any emergency disconnection being required they must be readily accessible.

## Compliance

The product must not be disposed of as household waste. To help prevent possible harm to human health and/or the environment, the product must be disposed of in an approved and environmentally safe recycling process. For further information on how to dispose of this product correctly, contact the product supplier, or the local authority responsible for waste disposal in your area.

Nisbets Essentials parts have undergone strict product testing in order to comply with regulatory standards and specifications set by international, independent, and federal authorities.

Nisbets Essentials products have been approved to carry the following symbol:



All rights reserved. No part of these instructions may be produced or transmitted in any form or by any means, electronic, mechanical, photocopying, recording or otherwise, without the prior written permission of Nisbets Essentials. Every effort is made to ensure all details are correct at the time of going to press, however, Nisbets Essentials reserves the right to change specifications without notice.

# DECLARATION OF CONFORMITY

• Conformiteitsverklaring • Déclaration de conformité • Konformitätserklärung • Dichiarazione di conformità •  
• Declaración de conformidad

Equipment Type • Uitrustingstype • Type d'équipement • Gerätetyp • Tipo di apparecchiatura • Tipo de equipo	Model • Modèle • Modell • Modello • Modelo
Bain Marie	CH732 (-E & -A)
Application of Territory Legislation & Council Directives(s) Toepassing van Europese Richtlijn(en) • Application de la/des directive(s) du Conseil • Anwendbare EU-Richtlinie(n) • Applicazione delle Direttive • Aplicación de la(s) directiva(s) del consejo	<p><b>Low Voltage Directive (LVD) - 2014/35/EU</b> Electrical Equipment (Safety) Regulations 2016 EN 60335-1:2012 +A11:2014 +A13:2017 +A1:2019 +A14:2019 +A2:2019 EN 60335-2-50: 2003 +A1:2008 EN 62233:2008</p> <p><b>Electro-Magnetic Compatibility (EMC) Directive 2014/30/EU - recast of 2004/108/EC</b> Electromagnetic Compatibility Regulations 2016 (S.I. 2016/1091) EN IEC 55014-1: 2021 EN IEC 55014-2:2021 EN IEC 61000-3-2: 2019 +A1:2021 EN 61000-3-3:2013 +A1:2019</p> <p><b>Restriction of Hazardous Substances Directive (RoHS) 2015/863 amending Annex II to Directive 2011/65/EU</b> Restriction of the Use of Certain Hazardous Substances in Electrical and Electronic Equipment Regulations 2012 (S.I. 2012/3032)</p>
Producer Name • Naam fabrikant • Nom du producteur • Name des Herstellers • Nome del produttore • Nombre del fabricante	Nisbets Essentials

I, the undersigned, hereby declare that the equipment specified above conforms to the above Territory Legislation, Directive(s) and Standard(s).

Ik, de ondergetekende, verklaar hierbij dat de hierboven gespecificeerde uitrusting goedgekeurd is volgens de bovenstaande Richtlijn(en) en Standaard(en).

Je soussigné, confirme la conformité de l'équipement cité dans la présente à la / aux Directive(s) et Norme(s) ci-dessus

Ich, der/die Unterzeichnende, erkläre hiermit, dass das oben angegebene Gerät der/den oben angeführten Richtlinie(n) und Norm(en) entspricht.

Il sottoscritto dichiara che l'apparecchiatura di sopra specificata è conforme alle Direttive e agli Standard sopra riportati.

El abajo firmante declara por la presente que el equipo arriba especificado está en conformidad con la(s) directiva(s) y estándar(es) arriba mencionadas.

Date • Data • Date • Datum • Data • Fecha • Data

Signature • Handtekening • Signature • Unterschrift Firma • Firma

Full Name • Volledige naam • Nom et prénom • Vollständiger Name • Nome completo • Nombre completo

Position • Functie • Fonction • Position • Qualifica • Posición

Producer Address • Adres fabrikant • Adresse du producteur • Anschrift des Herstellers • Indirizzo del produttore • Dirección del fabricante

25<sup>th</sup> April 2022

DocuSigned by:

Ashley Hooper

B39382C9FD9C478...

DocuSigned by:

Eoghan Donnellan

D352874F7FAB460...

DocuSigned by:

Brendan Denmeade

D052C5837EB7465...

Ashley Hooper

Eoghan Donnellan

Brendan Denmeade

Technical & Quality Manager

Commercial Manager/ Importer

Commercial Manager/ Responsible Supplier

Fourth Way,  
Avonmouth,  
Bristol,  
BS11 8TB  
United Kingdom

42 North Point  
Business Park  
New Mallow Road  
Cork  
Ireland

15 Badgally Road,  
Campbelltown  
NSW 2560



**NISBETS**  
**ESSENTIALS**



<http://www.nisbets.com/> 

CH732-A\_A5\_v1\_\_2023/04/10